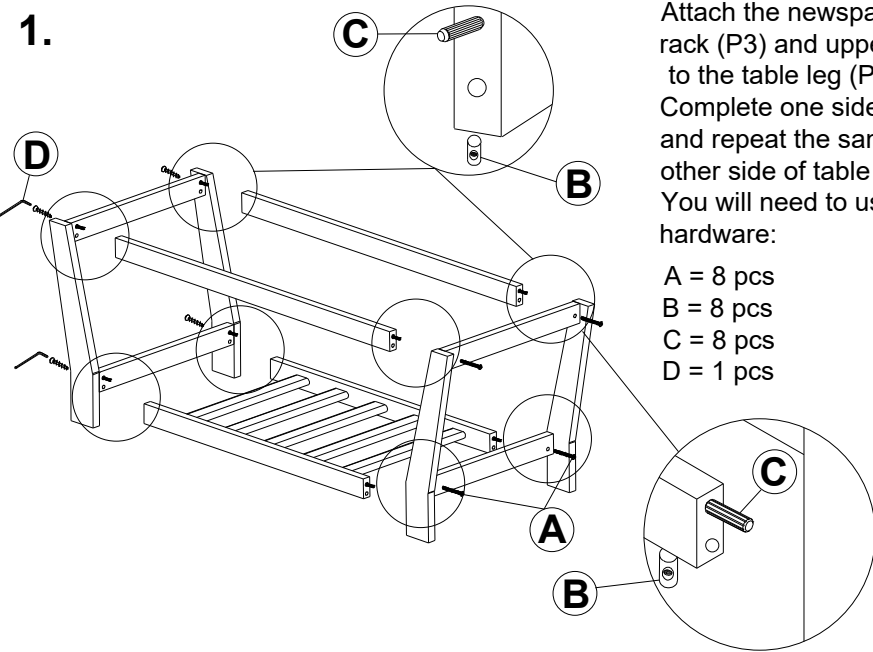


# SW 5532 - TABLE

(This assembly method also apply to side table)

1.



Attach the newspaper rack (P3) and upper rail (P4) to the table leg (P2). Complete one side first and repeat the same for the other side of table leg (P2). You will need to use hardware:

- A = 8 pcs
- B = 8 pcs
- C = 8 pcs
- D = 1 pcs

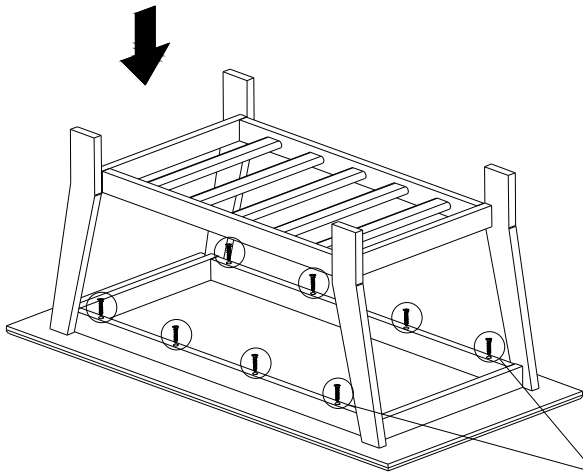
## WARNING!!

- Remove hardware from box and sort by size.
- Please check to see that hardware and parts are present prior start of assembly.
- Please follow attached instruction in the same sequence numbered to ensure fast and easy assembly.
- Do not use this table if any part is broken, torn or missing.
- The assembly of this product requires two people.
- Do not use any power tools as this may damage the frame and will invalidate any claim.

## PART LIST

P1		TABLE TOP	= 1pcs
P2		TABLE LEG	= 2pcs
P3		NEWSPAPER RACK	= 1pcs
P4		UPPER RAIL	= 2pcs

2.



Place the table top (P1) upside down on a non-abrasive surface. Attach the table top (P1) to the upper rail (P4). You will need to use hardware :

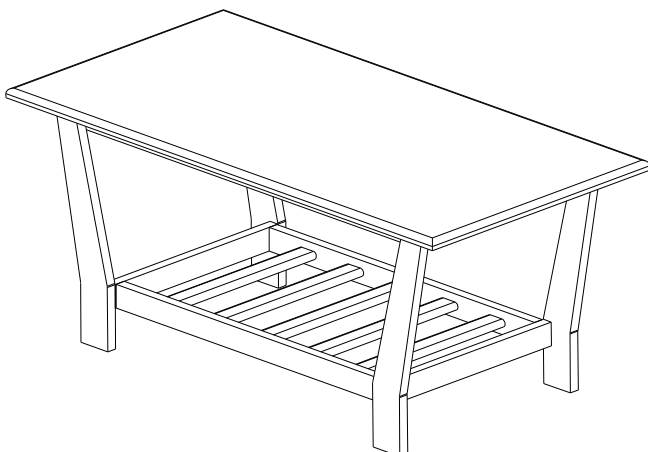
- E = 8pcs (CT)
- 6pcs (ST)

**\*For side table only 3pcs screw each side apply only\***

## HARDWARE LIST

A		M6 X 50MM JCBC	= 8pcs
B		BARREL NUT	= 8pcs
C		Ø8 X 30MM WOOD DOWEL	= 8pcs
D		ALLEN KEY M4	= 1pcs
E		M4 X 25MM SCREW	(CT) = 8pcs (ST) = 6pcs

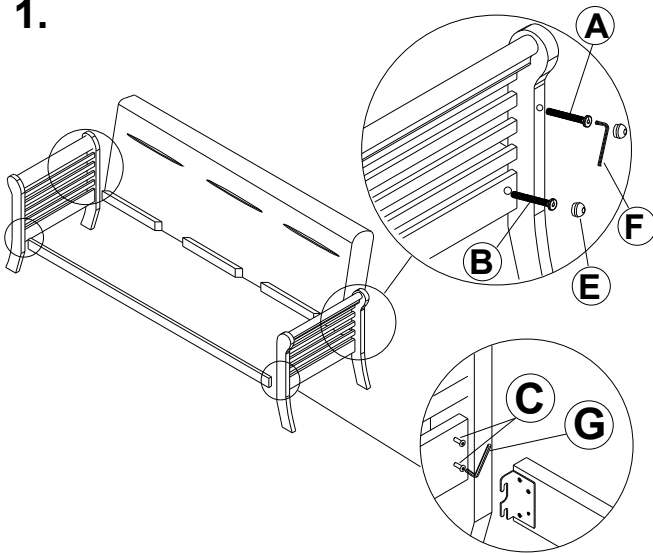
## 3. FULLY SET UP



# SW 5503 CHAIR

(This assembly method also apply to 1 seater and 2 seater)

1.



Attach the backrest (P1) and front rail (P2) between the handle (P3).

You will need to use hardware:

- A = 2 pcs
- B = 2 pcs
- C = 4 pcs
- E = 4 pcs
- F = 1 pcs
- G = 1 pcs

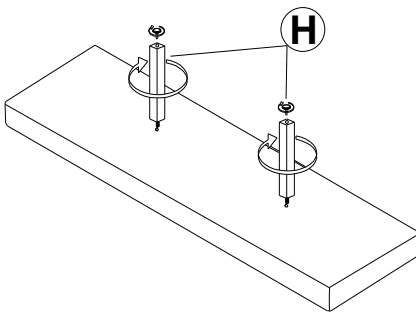
## WARNING!!

- Remove hardware from box and sort by size.
- Please check to see that hardware and parts are present prior start of assembly.
- Please follow attached instruction in the same sequence numbered to ensure fast and easy assembly.
- Do not use this sofa if any part is broken, torn or missing.
- The assembly of this product requires two people.
- Do not use any power tools as this may damage the frame and will invalidate any claim.

## PART LIST

P1		Backrest	= 1pcs
P2		Front Rail	= 1pcs
P3		Handle	= 2pcs
P4		Seat	= 1pcs
P5		Support Leg * 3 Seater only	= 2pcs

2.



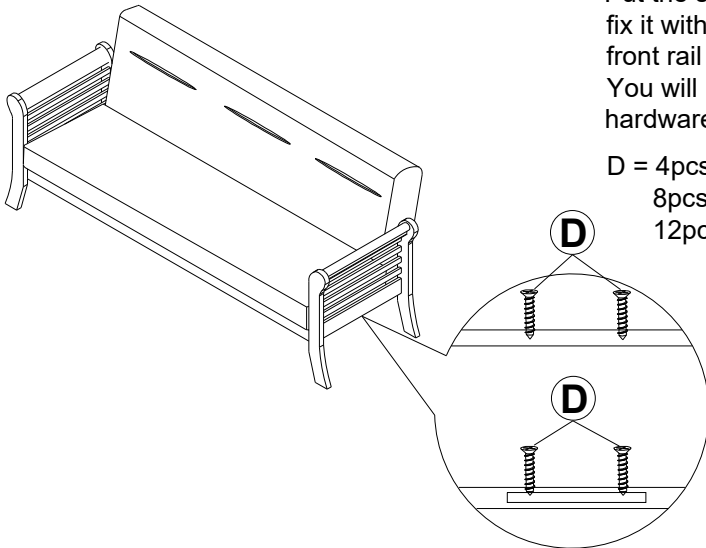
Attach the support leg (P5) to the bottom of the seat (P4). Fix the adjuster (H) to the bottom of the support leg (P5).

You will need to use hardware :

- H = 2 pcs

**\*THIS STEP ONLY APPLY TO 3 SEATER SOFA ONLY\***

3.



Put the seat (P4) down and fix it with backrest (P1) and front rail (P2).

You will need to use hardware :

- D = 4pcs (1 seater)
- 8pcs (2 seater)
- 12pcs (3 seater)

## HARDWARE LIST

A		M6 X 70MM JCBC	= 2pcs
B		M6 X 50MM JCBC	= 2pcs
C		M8 X 16MM JCBB	= 4pcs
D		M4 X 32MM SCREW(1S) (2S) = 8pcs (3S) = 12pcs	= 4pcs
E		WOODEN PLUG	= 4pcs
F		ALLEN KEY M4	= 1pcs
G		ALLEN KEY M5	= 1pcs
H		ADJUSTER * 3 Seater only	= 2pcs

## 4. FULLY SET UP

